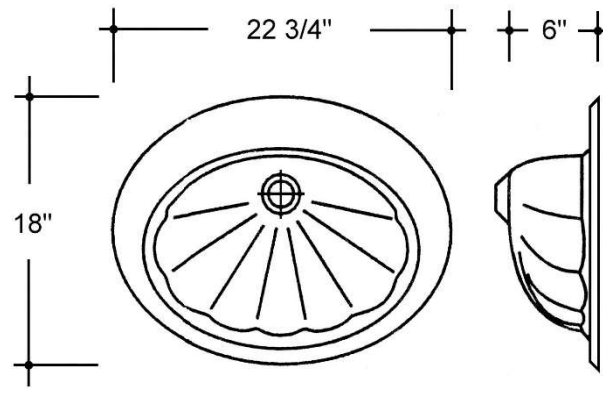
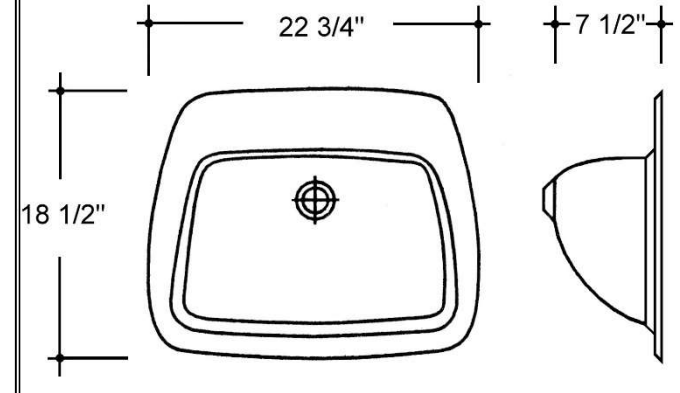


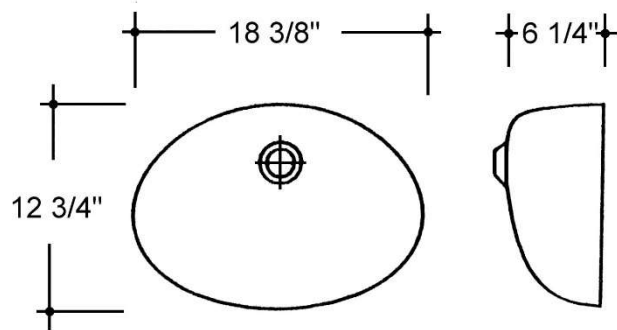
Recessed Oval



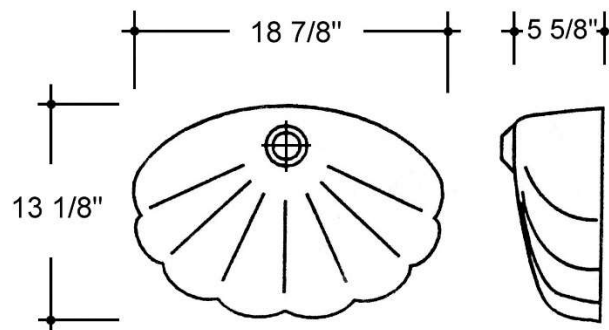
Recessed Shell



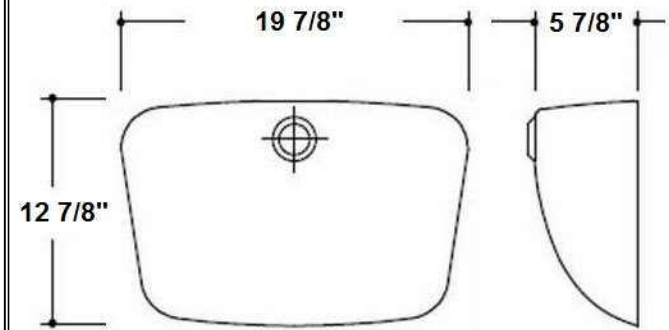
Recessed Rectangle



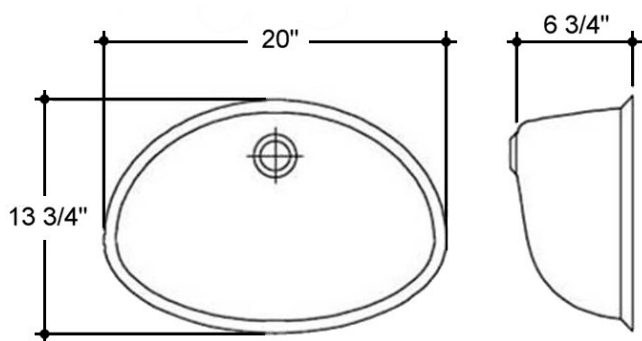
Plain Oval



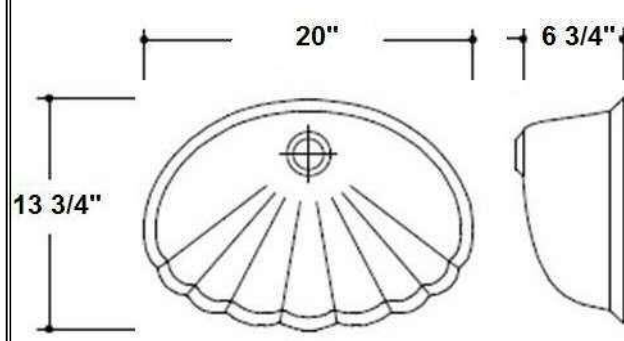
Plain Shell



Plain Rectangle



Canadian Oval



Canadian Shell